
Konvektor TS

GoGetNo : 6981

Drawing Specification of Konvektor TS

❖ Family with single view of 3D with variation elevation detail

❖ 1 Sub Families :

- Tapping Bosses (inside of Mechanical Equipment)

❖ 8 Family types :

1. TS 0720
2. TS 0730
3. TS 1420
4. TS 1430
5. TS 2120
6. TS 2130
7. TS 2820
8. TS 2830

I. Family Variation

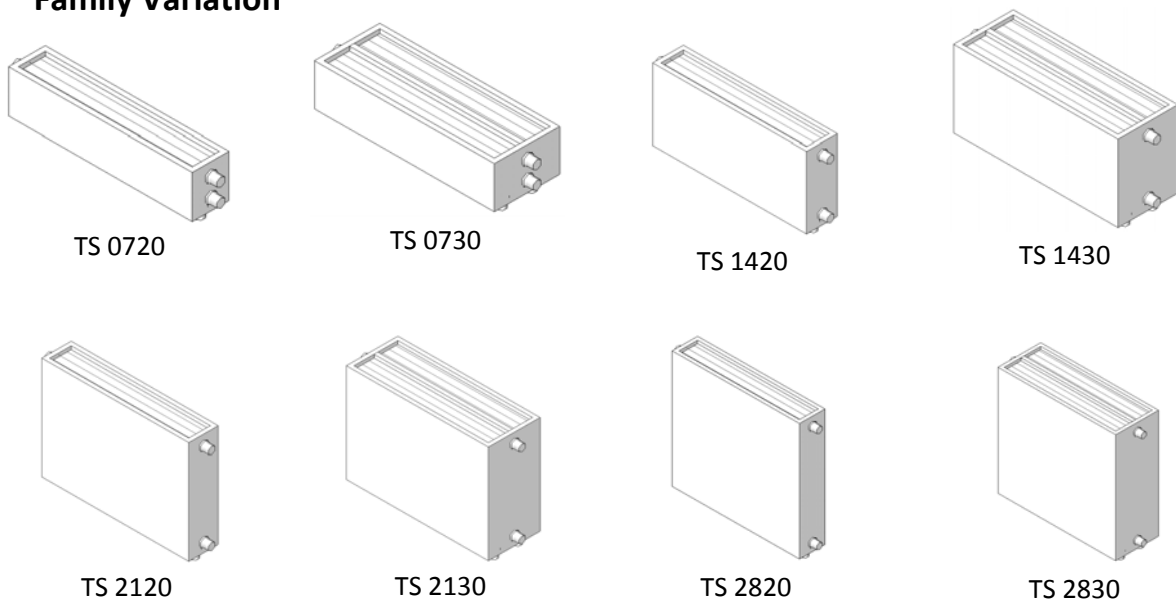
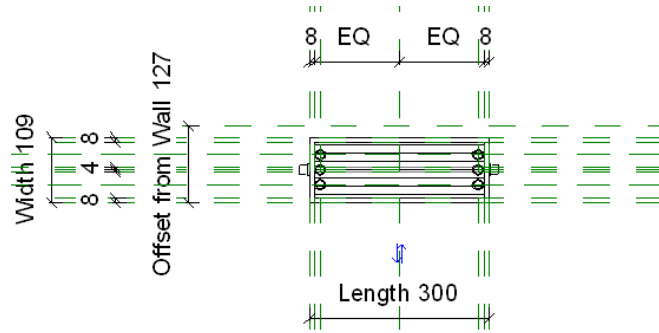
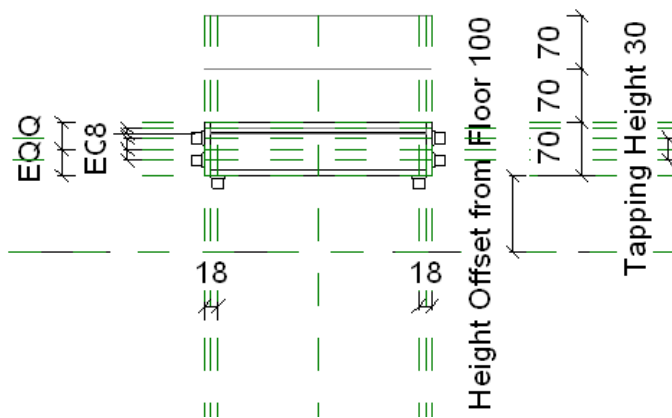


Figure 01
Variation of the family types

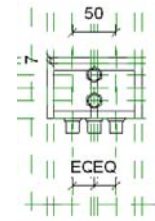
II. Family Parameter and Code



Main Family
 Plan Reference



Main family
 Front Elevation Reference



Main Family
 Side Elevation Reference

Figure 02
 Main Family Drawing Reference

Family Types

Name: TS 0730

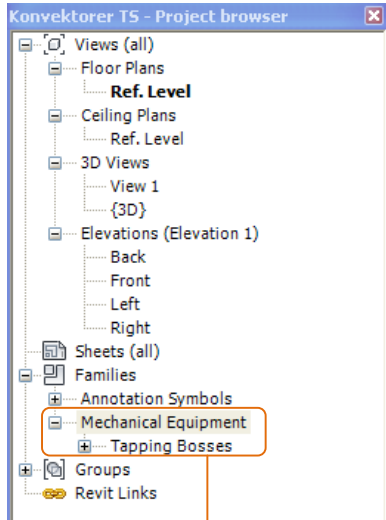
Parameter	Value	Formula
Graphics		
Horizontal Line		= Height > 70 mm
Horizontal Line 2		= Height > 140 mm
Add Grill	<input checked="" type="checkbox"/>	=
Materials and Finishes		
Heater	RAL 9016	=
Grill	Grill	=
Electrical - Loads		
Dimensions		
Width	109.0	=
Offset from Wall	127.0	= if(Width = 60 mm, 80 mm, 127
Height Offset from Floor	100.0	=
Length	300.0	=
Height	70.0	=
Identity Data		
URL	http://www.meinertz.com	=
Model	TS 0730	=
Manufacturer	Meinertz	= "Meinertz"
Keynote	TS 0730	=
GoGetNo	6981	= 6981
Type Comments		=
Description		=
Assembly Code		=
Cost		=
Electrical		
Voltage		=
Wattage		=
Other		
Tapping Height	30.0	= Height - 40 mm
Tapping Dim	15.0	=
Tapping Depth	17.0	=
Tapping Bottom 2	<input checked="" type="checkbox"/>	= (Width > 60 mm)
Tapping Bottom	<input type="checkbox"/>	= not(Tapping Bottom 2)
Grill 2	<input checked="" type="checkbox"/>	= and(not(Grill 1), Add Grill)
Grill 1	<input type="checkbox"/>	= and(Width = 60 mm, Add Grill)

Buttons: New..., Rename..., Delete, Add..., Modify..., Remove, OK, Cancel, Apply, Help

- 1502
- 1503
- 1501
- 2002
- 2001
- 1404
- 1405
- 1402
- 1403
- 1401
- 1704
- 1702
- 1705
- 1701
- 1706
- 9806
- 9802
- 9801
- 9803
- 9807
- 9804
- 9805

Figure 03
Parameter Reference Code

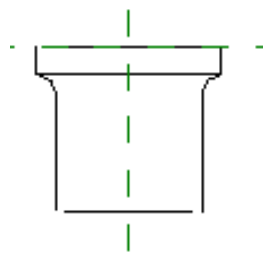
III. Sub Family



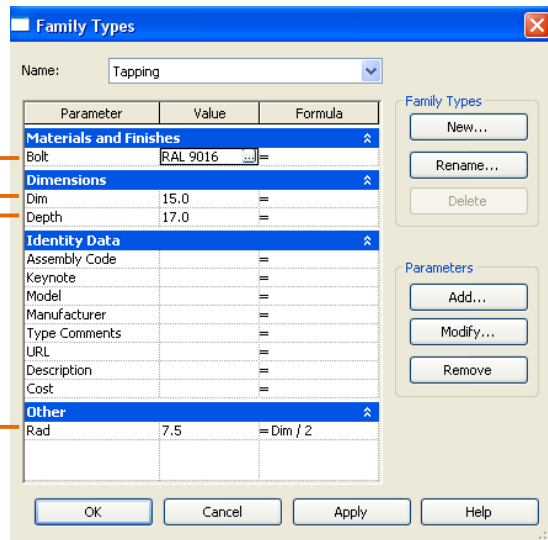
Sub family (Tapping Bosses)

Main Family

Sub Family



Sub family plan



Sub family Parameter

Figure 04
"Tapping Bosses" Sub family