
Proline med 1 ristdel

GoGetNo : 6939

Drawing Specification of Proline med 1 ristdel

- ❖ Family with single view of 3d with Variation Detail
 - ❖ Mechanical equipment family
 - ❖ 5 Family types :
 1. PL07 03 5/0
 2. PL07 04 5/0
 3. PL07 05 5/0
 4. PL07 06 5/0
 5. PL07 07 5/0
-

I. Family Variation

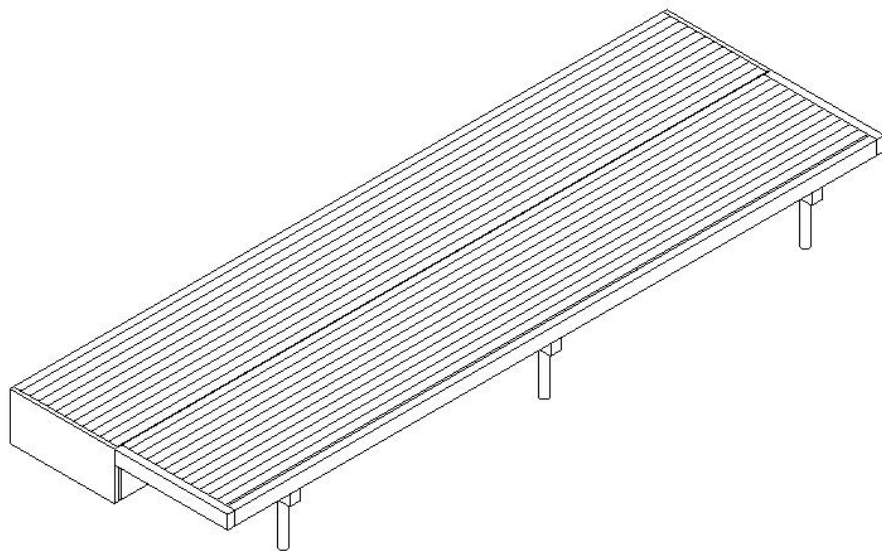
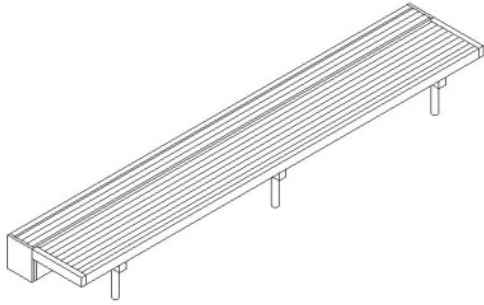
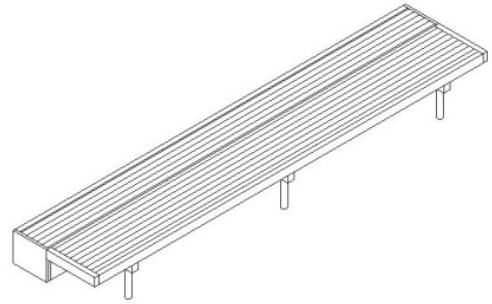


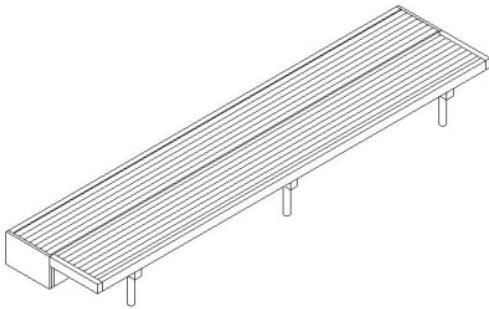
Figure 01
Family Perspectives



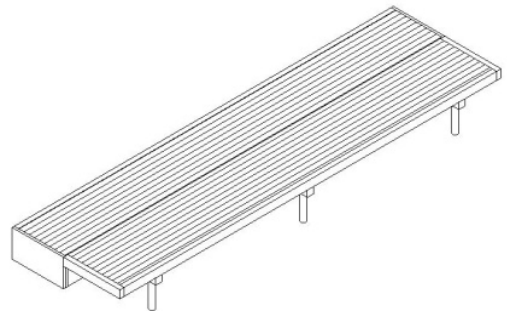
PL07 03 5/0



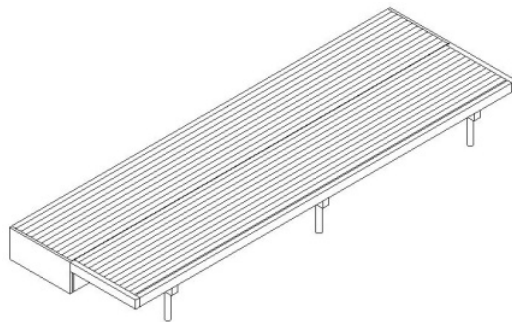
PL07 04 5/0



PL07 05 5/0



PL07 06 5/0



PL07 07 5/0

Figure 02
Variation of the family front elevation

II. Family Parameter and Code

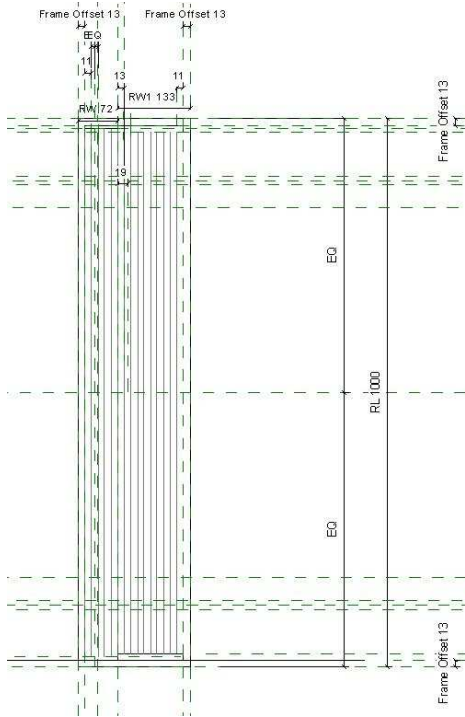


Figure 03
Family Plan Reference

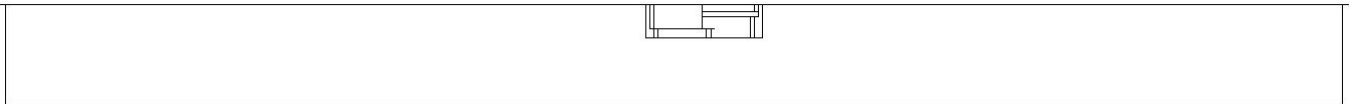


Figure 04
Family Left Reference

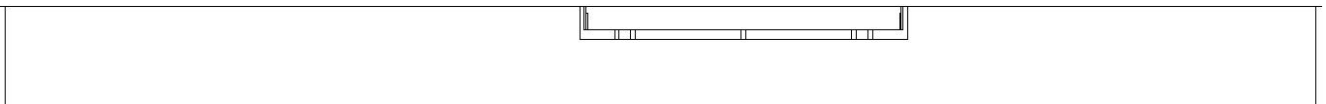


Figure 05
Family Front Reference

Family Types

Name: PL07 07 7|0

Parameter	Value	Formula
Materials and Finishes		
Grill	RAL 7024 Grill	=
Frame	RAL 7024	=
Dimensions		
Width Side	181.0	=
Width	168.0	=
Length	1000.0	=
Depth	-100.0	=
Identity Data		
URL	http://www.meinertz.com	=
Model	PL07 07 7 0	=
Manufacturer	Meinertz	= "Meinertz"
Keynote	PL07 07 7 0	=
GoGetNo	6939	= 6939
Assembly Code		=
Type Comments		=
Description		=
Cost		=
Energy Analysis		
Thermal Performance	287.000000	= CTP * Length / 1000 mm
Other		
Width Inner Side	168.0	= RW1 - Frame Offset
Width Inner Main	192.0	= RW - Frame Offset + 37 mm
CTP	287.000000	= if(TP = 3, 145, if(TP = 4, 191, if(TP = 5, 231, if(TP = 6, 262, if(TP = 7, 287, if(TP = 8, 317, if(TP
TP	7	=
Side Grill Length	952.0	= RL - (2 * Frame Offset) - 22 mm
RW1	181.0	= (Count Grill Side * 24 mm) + Frame Offset
RW	168.0	= (Count Grill Main - 1) * 24 mm + Frame Offset + 11 mm
RL	1000.0	= if(Length < 4 * Frame Offset, 4 * Frame Offset, if(Length > 6000 mm, 6000 mm, Length))
Frame Offset	13.0	= 13 mm
Count Side Support	3	= (RL - (2 * Frame Offset) - 200 mm) / 600 mm + 1.49
Count Grill Side	7	= ((Width Side - Frame Offset) / 24 mm)
Count Grill Main	7	= (Width - Frame Offset - 11 mm) / 24 mm + 1
Count Convec Support	2	= (RL - (2 * Frame Offset) - 300 mm) / 2500 mm + 1.49
Convection Grill Length	963.0	= RL - (2 * Frame Offset) - 11 mm

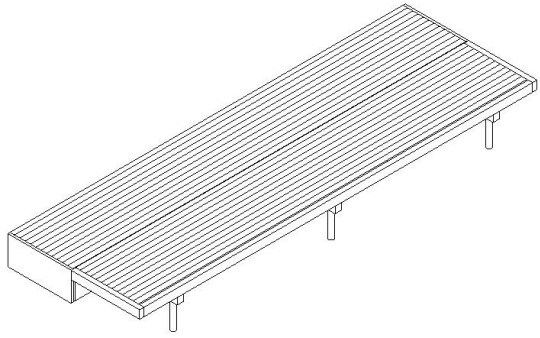
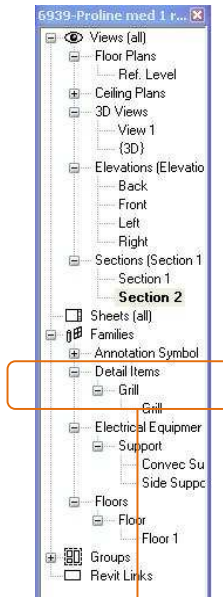
Family Types: New..., Rename..., Delete

Parameters: Add..., Modify..., Remove

OK Cancel Apply Help

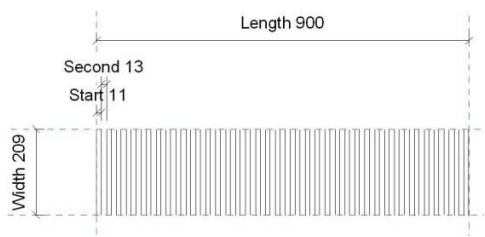
Figure 06
Parameter Reference

III. Sub Family

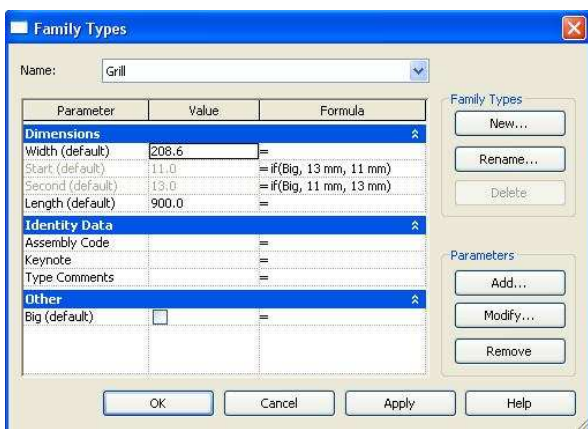


Main Family

Sub Family

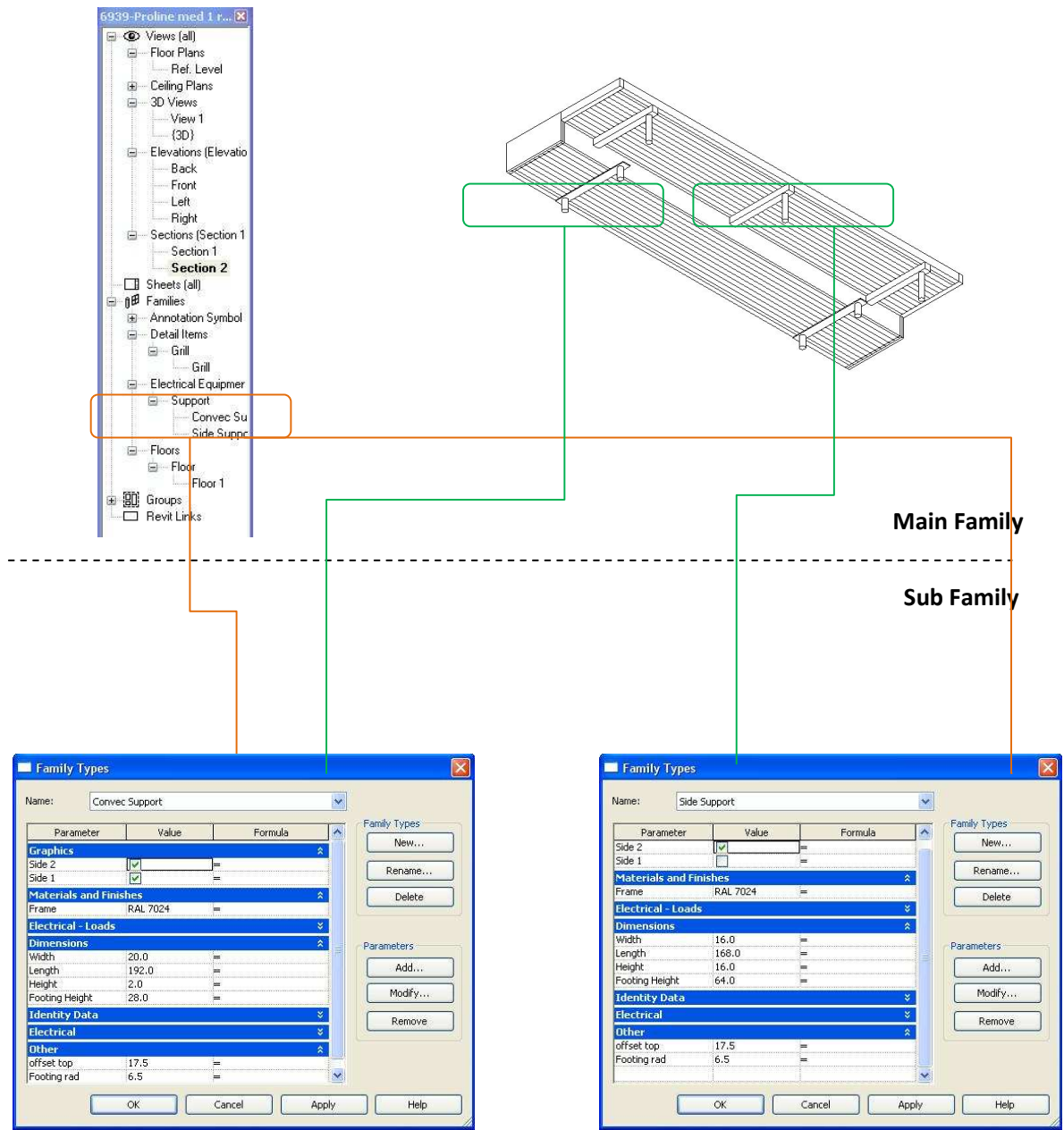


Sub family floor elevation



Sub family Parameter

Figure 07
Grill Sub family



Sub family Parameter

Sub family Parameter

Figure 08
Support Sub family