
Ribberør BRS

GoGetNo : 6977

Drawing Specification of Ribberør BRS

- ❖ Family with single view of 3d with Variation Detail
- ❖ Mechanical Equipment family
- ❖ 2 Family types :
 1. B32-83-10
 2. B42-92-10

I. Family Variation

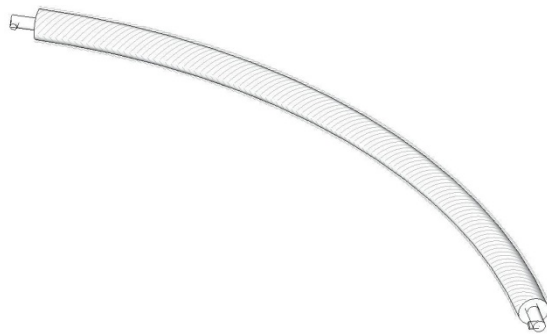
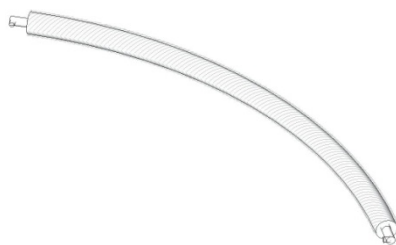
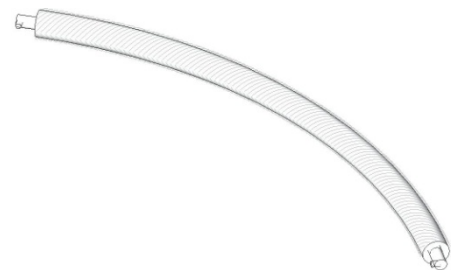


Figure 01
Family Perspectives



Ribberør BRS B32-83-10



Ribberør BRS B42-92-10

Figure 02
Variation of the family front elevation

II. Family Parameter and Code

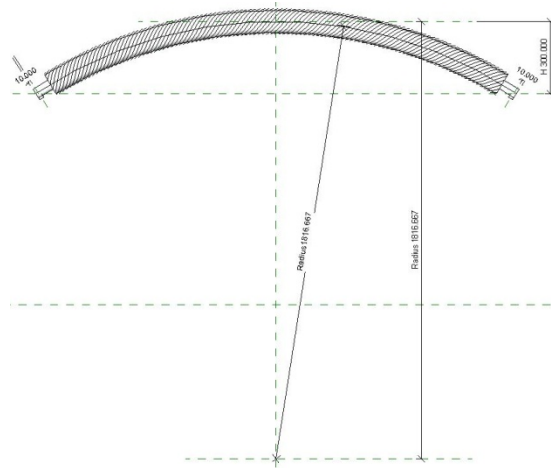


Figure 03
Family Plan Reference



Figure 04
Family Left Reference

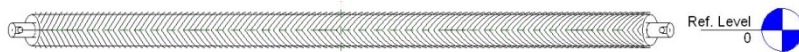


Figure 05
Family Front Reference

Family Types

Name: B32-83-10

Parameter	Value	Formula
Graphics		
1501 Fins	<input checked="" type="checkbox"/>	=
Materials and Finishes		
2003 Tube	RAL 9016	=
2002 Socket	RAL 9016	=
2001 Fin	RAL 9016 F	=
Dimensions		
1400 Length	2051.9	= 2 * 3.14 * R * Alpha / FC
1402 K	2000.0	=
1401 H	200.0	=
1400 Alpha	45.240°	= 2 * acos((R - H) / R)
Identity Data		
1704 URL	http://www.meinertz.com	=
1702 Model	B32-83-10	=
1705 Manufacturer	Meinertz	= "Meinertz"
1701 Keynote	B32-83-10	=
1706 GoGetNo	6977	= 6977
Type Comments		=
Description		=
Assembly Code		=
Cost		=
Energy Analysis		
1201 Thermal Performance	213.394801	= CTP * Length / 1000 mm
Other		
9804 Tube Radius	16.5	=
9803 Socket Radius	10.0	=
9806 Socket Length	26.5	= Tube Radius + 10 mm
9805 R	2600.0	= ((K ^ 2) / (8 * H) + (H / 2))
9802 Offset	10.0	=
9801 Fin Radius	41.5	=
9807 Fin Diameter	83.0	= Fin Radius * 2
9808 FC	360.000°	= 360°
9809 CTP	104	= if(Fin Diameter = 73 mm, 88, if(Fin

Family Types: New..., Rename..., Delete

Parameters: Add..., Modify..., Remove

OK Cancel Apply Help

Figure 06
Parameter Reference